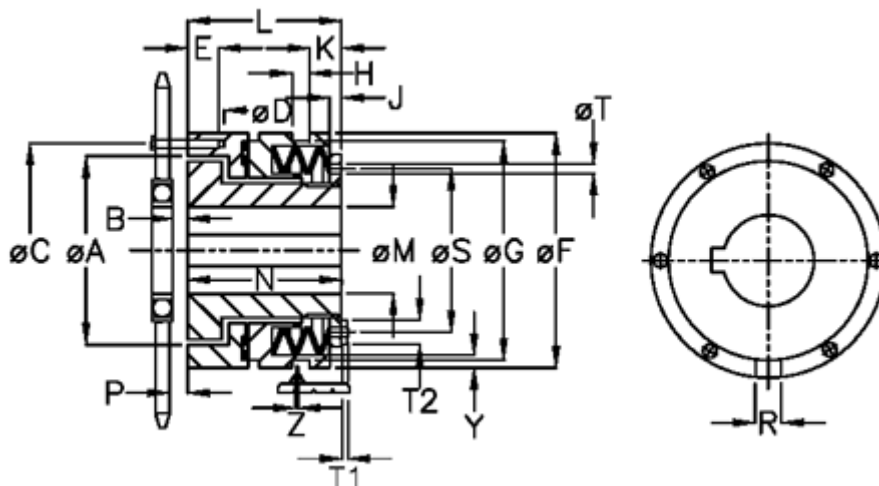


Article number: 46936512

Description: Torque limiter Synchron A 65 M

Measures



A	= 121.0	G	= 170.0	P	= 5.0
B	= 7.0	H	= 9	R	= 14
C	= 155	J	= 12.0	S	= 129
D	= 6xM12	K	= 33.0	T	= 7
Disc spring mounting	= 5x1M	L	= 114.0	T1	= 6.0
Disc spring version	= M - medium	M max	= 65	T2	= 13
E	= 17.0	M min	= 30	Y	= 2
F	= 176	N	= 107.0	Z	= 0.0